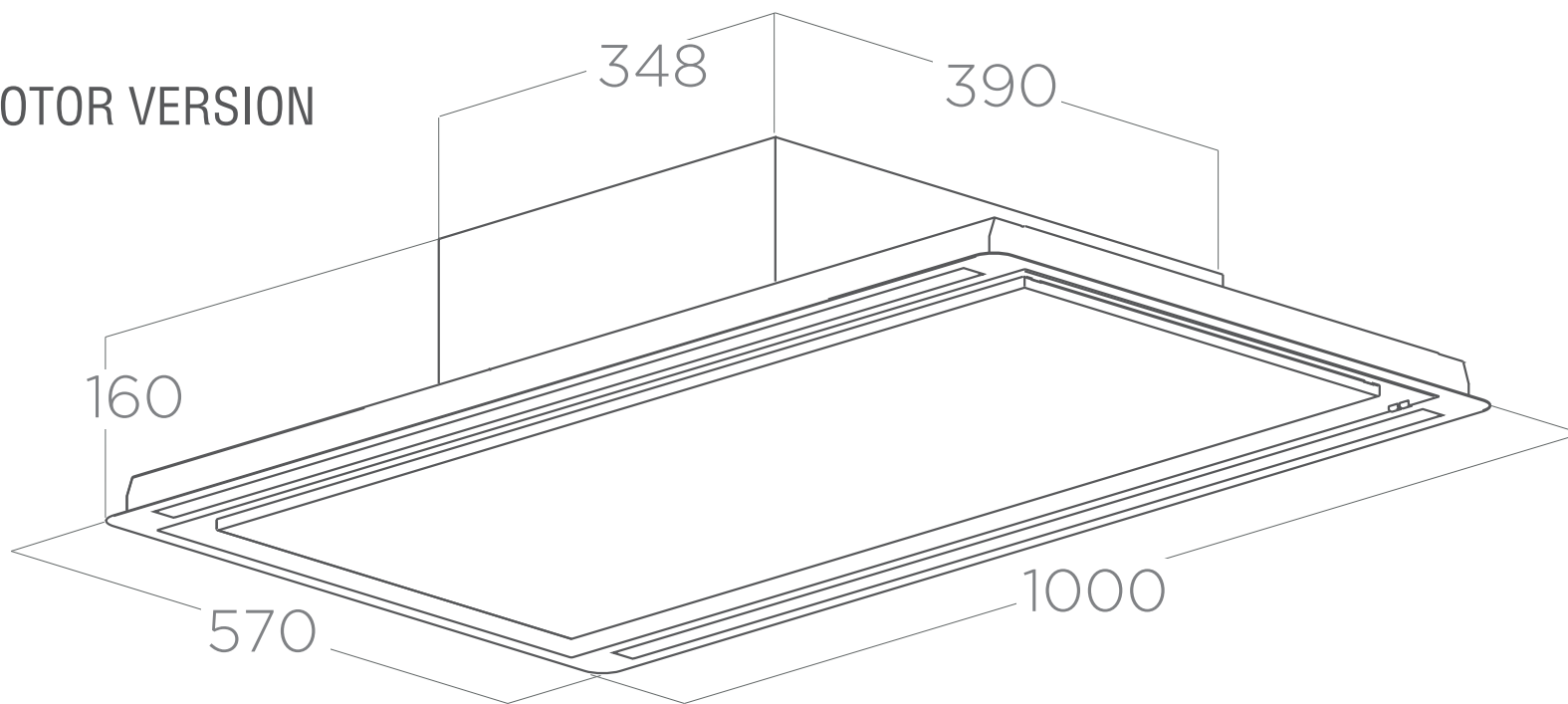
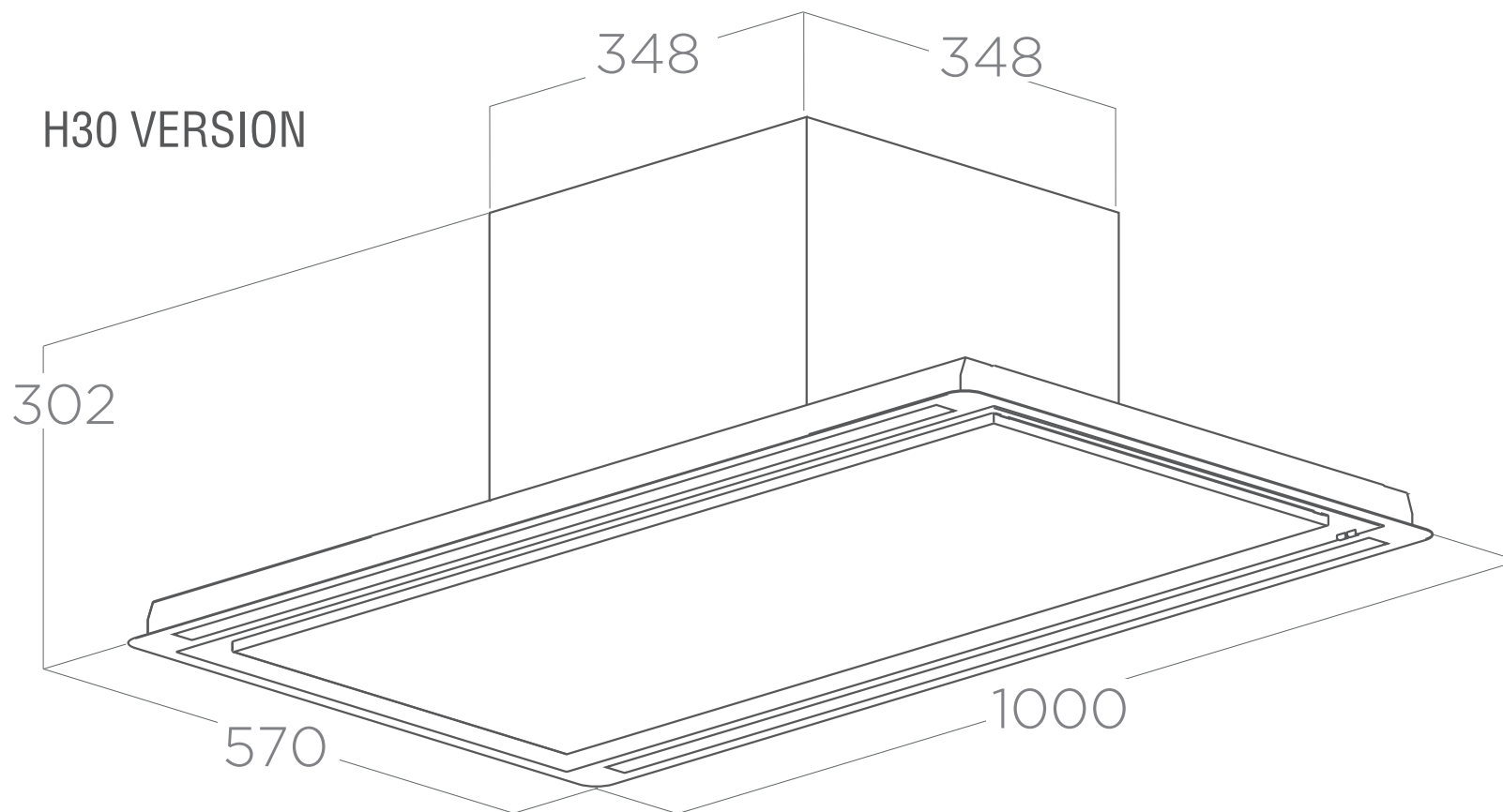


H16 - NO MOTOR VERSION



FALSE CEILING CUT: 550X980

H30 VERSION



FALSE CEILING CUT: 550X980