



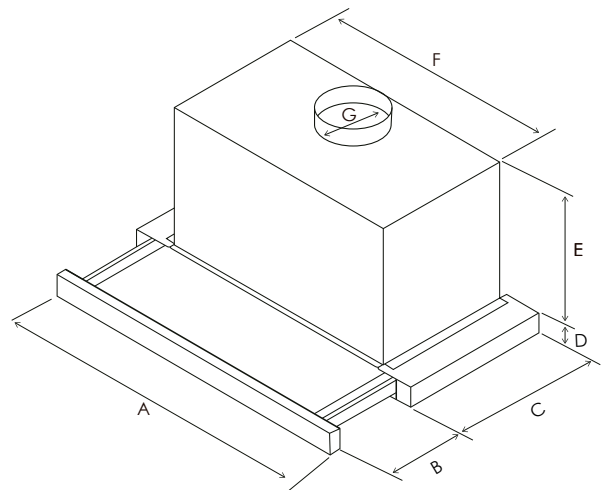
LED LIGHT



3X LAYER MESH FILTER

ELICA'S EXCLUSIVE PLUS FEATURES

The ultra slim design of TT hides quietly within cabinetry and extends less than 2" below the edge. When called to action, the horizontal visor effortlessly pulls out to provide added air capture during cooking. TT design is ideal for smaller kitchens or where under-cabinet space is limited. The 400 CFM blower provides more than adequate power for everyday cooking. The 3 speed blower and halogen lighting are operated with modern electronic touch controls, which are out of sight and behind the visor when idle. Clean up is literally a snap with dishwasher safe anodized aluminum mesh filters. Designed for ducted or recirculating installations.



| | ETT424SS | ETT430SS |
|---|---|---------------|
| A | 23" ⁹ / ₁₆ (60.9cm) | 30" (76.2 cm) |
| B | 6 ¹ / ₈ " (15.2 cm) | |
| C | 11" (27.9 cm) | |
| D | 1 ⁹ / ₁₆ " (3.9 cm) | |
| E | 10 ¹ / ₄ " (26 cm) | |
| F | 18 ¹ / ₈ " (46 cm) | |
| G | 6" (15.2 cm) | |

SPECIFICATIONS

| | 24" Unit | 30" Unit |
|-----------------------------|---|----------------------------------|
| Model: | ETT424SS | ETT430SS |
| Dimensions: | 23 9/16"W x 17 1/18"D x 1 9/16"H | 30 9/16"W x 17 1/18"D x 1 9/16"H |
| Blower Type(internal): | 400 CFM(3-speed) | |
| Blower Performance: | | |
| Speed 1 | 160 CFM | |
| Speed 2 | 280 CFM | |
| Speed 3 | 400 CFM | |
| Noise (sones): | Min:1.5, Max:5.9 | |
| Working Speed | | |
| Finish: | Stainless Steel | |
| Controls: | Hidden Electronic Touch Controls | |
| Illumination: | 2, 20 W Halogen Lamp (Bulb included) | 2 LED |
| Filter Type: | Dishwasher Safe, Anodized Aluminum Mesh | |
| Aluminum Mesh Filters: | 2 | |
| Duct Transition: | 6" Round, (Non return valve included) | |
| Installation Type: | Ducted or Recirculating Installation | |
| Electrical: | 120V - 60 Hz | |
| KITS: | | |
| Recirculating Kit | F00539 | xxx |
| CFM Reduction Kit | KIT02736 | xxx |
| CONSUMABLE PARTS: | | |
| Replacement Light Bulb (1): | XXX | |

*Consumable parts are sold in units of one (1). Order accordingly

PLUS FEATURES



LED LIGHT - LED lighting is undoubtedly the smartest solution in terms of energy saving. Expected life time of over 20,000 hours.



3X LAYER MESH FILTER - Elica aluminum mesh filters are a step above competition, featuring triple layered, anodized aluminum that is woven into highly dense mesh. The thick mesh captures more grease, anodization helps resist staining and provides durability to repeated cleanings in the dishwasher.