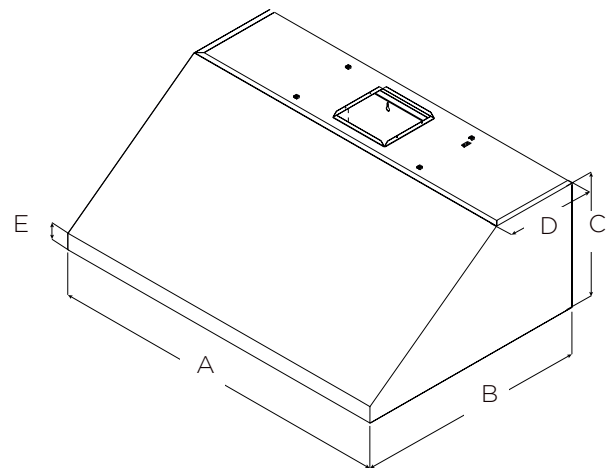


ELICA PRO SERIES CAPRI



ELICA'S EXCLUSIVE PLUS FEATURES

Tame the outdoors, without sacrificing style and luxury. Capri features a heavy gauge, corrosion resistant 302-grade stainless steel body, which will withstand the harshest environment. The extra deep 32" hood body is complimented with dual sets of angled stainless steel professional baffle filters, that provide exceptional air capture and a 1200 CFM blower has the power to do the job. Capri is available in 36" and 48" widths, an optional 3" spacer will extend the depth to 35" for added capture efficiency, plus optional 12" and 6" duct covers are available to reach any ceiling height.



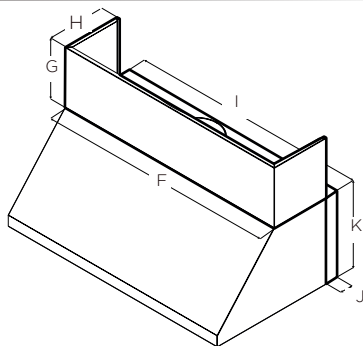
	ECP136SS	ECP148SS
A	36" (91.2 cm)	48" (121.7 cm)
B	32" (81.38 cm)	
C	18" (45.71 cm)	
D	11 ¹⁵ / ₁₆ " (30.25 cm)	
E	2 ¹⁹ / ₃₂ " (5.41cm)	



SPECIFICATIONS

	36" Unit	48" Unit
Model:	ECP136SS	ECP148SS
Dimensions:	36"W x 32"D x 18"H	48"W x 32"D x 18"H
Blower Type(sold separately):	Internal or external 1200 CFM(4-speed)	
Blower Performance:		
Speed 1	375 CFM	
Speed 2	640 CFM	
Speed 3	940 CFM	
Speed 4	1200 CFM	
Noise (sones): Working Speed	Min:2.47, Max:9.04	
Finish:	Corrosion Resistant Grade Stainless Steel	
Controls:	Fully retractable rotating knobs with blue backlighting	
Illumination: (replaceable lamps 1 intensity)	2 LED, 7.5 Watts LED light	4 LED, 7.5 Watts LED light
Filter Type:	Dishwasher-Safe, Professional Stainless Steel	
Angled Baffle Filters:	4	6
Duct Transition:	10" Round with BackDraft Damper (top)	
Installation Type:	Ducted Installation Only	
Electrical:	120V - 60 Hz	
KITS:		
External Blower Kit 1200 CFM 8" or 10" duct size compatible:	KIT0153054	
In Line Blower Kit 1200 CFM 8" or 10" duct size compatible:	KIT0154387	
1200 CFM Internal Blower:	KIT0156655	
CONSUMABLE PARTS:		
Replacement Grease Filter (1):	GF09EA	
Replacement Light Bulb (1):	LMP0131098	

*Consumable parts are sold in units of one (1). Order accordingly



Duct Cover Kit	F	G	H
KIT0156637	36" (91.2 cm)	6"	11 ¹⁵ / ₁₆ " (30.25 cm)
KIT0156641	48" (121.7 cm)		
KIT0156645	36" (91.2 cm)		
KIT0156649	48" (121.7 cm)	12"	
Spacer Kit	I	J	K
KIT0153304	36" (91.2 cm)	3"	18" (45.71 cm)
KIT0153305	48" (121.7 cm)		

PLUS FEATURES



LED CONSUMER REPLACEABLE BULB - High quality LED lighting usually requires a skilled technician to replace lamps. Avoid this expense with Elica's new LED lamps that enable homeowners to replace in seconds



SEAMLESS CRAFTSMANSHIP - Heavy gauge stainless steel "Seamless" construction that delivers refined elegance.



HEAT GUARD - Senses extreme temperatures (>158 degrees) and automatically adjusts the blower speed to HIGH



STAINLESS STEEL BAFFLE FILTERS WITH GREASE COLLECTORS - Designed for high airflow cooking, the "S" shape design traps high volumes of grease



PROFESSIONAL PERFORMANCE - Special features and high performances for models with aspiration capacity between 600 and 1200 CFM's

*The product images shown are for illustration purposes only and may not be an exact representation of the product.