

# ASTI INSERT



## COMFORT SERIES



Asti is designed for discreet mounting inside cabinetry. At 28<sup>1/4</sup>" wide and only 10<sup>3/4</sup>" deep, Asti fits perfectly into 12" deep cabinetry and is ideal for kitchens where space is limited, or where the range hood needs to be out of sight. Asti comes equipped with a powerful 400 CFM blower that can handle most cooking needs.

Convenient stainless steel push button controls operate the 3 speed blower and incandescent lighting, while dishwasher safe anodized aluminum mesh filters offer easy maintenance. Asti is designed for standard ducted or recirculating installation.

### MODELS

EAS428SS Asti 28" Stainless

### DIMENSIONS

(28 1/4" W x 10 3/4" D x 9 1/2" H)



Halogen Lamps



Stainless Steel  
Push Button Controls



Anodized Aluminum  
Mesh Filters

FEATURES

<b>Size (in) &amp; Type Finish</b>	28" Wide Insert Stainless Steel
<b>Controls</b>	Stainless Steel Push Buttons
<b>Illumination</b>	2, 40 Watt Incandecent Lamps, 1 Light Intensity (bulbs included)
<b>Installation Type</b>	Ducted or Recirculating Installation Recirculating Kit Sold Separately
<b>Blower Type</b>	400 CFM, 3-Speed Internal
<b>Blower Performance</b>	Speed 1, 160 CFM, 1.5 Sones Speed 2, 280 CFM, 3.1 Sones Speed 3, 400 CFM, 5.9 Sones
<b>Filter Type</b>	2, Dishwasher-Safe, Anodized Aluminum Mesh Grease Filters
<b>Duct Transition</b>	6" Round with Back Draft Damper (top)
<b>Electrical</b>	120V-60Hz 340 Watts at 2.8 Amps
<b>Warranty</b>	2 Year Parts & Labor, In-Home Service

ACCESSORIES



Optional Recirculating Kit with 2 Carbon Filters

CODE: KIT02770  
MODEL: KIT02770



Optional 30" Hood Liner  
29"W x 17 1/2" - 20 1/2"D

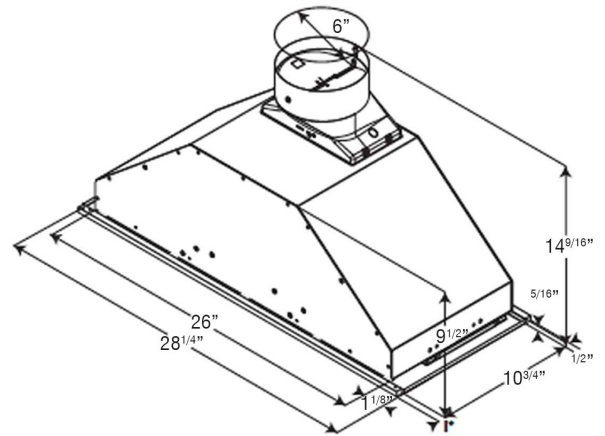
CODE: KIT02773  
MODEL: EXXHDL30



Optional 36" Hood Liner  
25"W x 17 1/2" - 20 1/2"D

CODE: KIT02774  
MODEL: EXXHDL36

LINE DRAWING



CONSUMABLE PARTS

Replacement Grease Filter (1)  
CODE: GF08PA

Replacement Carbon Filter (1)  
CODE: FB016A

Replacement Light Bulb (1)  
CODE: 2006CL

Consumable parts are sold in units of one (1). Order accordingly.