



WALL-MOUNT

ASPIRE SERIES

**Dimensions**

30" W x 19 11/16" D x 15 15/16" H  
 36" W x 19 11/16" D x 15 15/16" H

**Models**

ECM630S2 Como 30" Stainless  
 ECM636S2 Como 36" Stainless

**Special features**



CFM REDUCTION



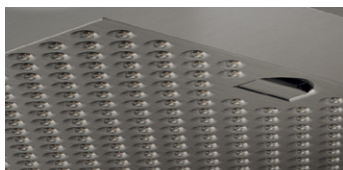
HEAT GUARD



halogen lamps



multi-function electronic controls with LCD display



stainless steel micro hole filters



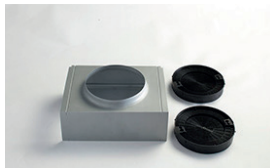
Como combines arched glass wings and stainless steel to create a light and airy environment...the perfect centerpiece for any contemporary kitchen. This gently flowing design is powered by a 600 CFM blower that can handle the demands generated by today's cooktops. The multi-function electronic controls with LCD display, manages the halogen lighting and 4-speed, 600 CFM blower and even has a sensor that tells you when to clean your dishwasher-safe, stainless steel microhole filter.

Designed for standard ducted installation (for heights 7'6" to 10'1"), Como can also be installed as a recirculating system (for heights 7'10" to 10'5") using the Recirculating Kit, available as an accessory..

## FEATURES

<b>Size (in) &amp; Type Finish</b>	30" or 36" wide Wall-mount chimney Stainless Steel + Clear Glass
<b>Controls</b>	Multi-function electronic with LCD display
<b>Illumination</b>	2, 40 Watt Halogen Lamps, 2 Light Intensities (bulbs included)
<b>Installation Type</b>	Ducted or Recirculating Installation Recirculating Kit Sold Separately
<b>Blower Type</b>	600 CFM, 4-Speed Internal
<b>Blower Performance</b>	Speed 1, 160 CFM, 1.6 Sones Speed 2, 280 CFM, 3.5 Sones Speed 3, 470 CFM, 6.6 Sones Speed 4, 600 CFM, 8.7 Sones
<b>Filter Type</b>	1, Dishwasher-Safe, Stainless Steel Micro Hole
<b>Telescopic Chimney Extension</b>	For heights 7'6" - 10'1" (ducted) For heights 7'10" - 10'5" (recirculating)
<b>Duct Transition</b>	6" Round with Back Draft Damper (top)
<b>Electrical</b>	120V-60Hz 530 Watts at 4.4 Amps
<b>Warranty</b>	2 Year Parts & Labor, In-Home Service

## ACCESSORIES



### Optional Recirculating Kit for 30" and 36"

CODE: KIT02721  
MODEL: KIT02721

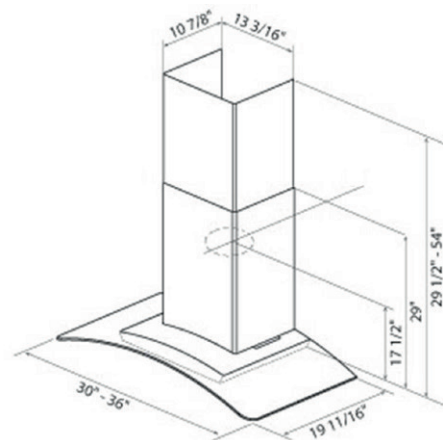


### Optional Long Chimney Extension Kit

Reaches 8'5" - 12'0" (ducted)  
Reaches 8'9" - 12'4" (recirculating)

CODE: KIT0100315  
MODEL: KIT0100315

## LINE DRAWING



## CONSUMABLE PARTS

### Replacement Grease Filter (1)

CODE: GF04YB

### Replacement Carbon Filter (1)

CODE: KIT02667

### Replacement Light Bulb (1)

CODE: 2006DX

Consumable parts are sold in units of one (1). Order accordingly.

## SPECIAL FEATURES



### Elica CRS:

CFM Reduction System (CRS), is an exclusive feature to Elica hoods, which enables the installer to reduce the maximum blower CFM, to meet local code requirements.



### Elica Heat Guard:

A safety feature that protects the hood and cabinetry from excessive heat, by sensing extreme temperatures (>158 degrees) and will automatically adjust the blower speed to HIGH. Blower speed will automatically adjust back once temperatures drop to a safe level.