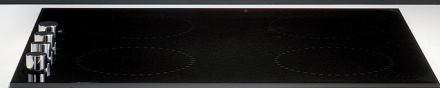


OLA RED

ISLAND



COLLECTION SERIES



Bring a bold splash of color and glamour to your kitchen with Elica's Ola. Ola delivers all the aesthetic appeal of a sophisticated pendant light, plus the functional performance that you expect from a range hood. Ola's soft lines and shining stainless steel exterior, echo the sinuous movement of a wave, and is contrasted by the warmly shaded red interior. All possible due to Elica's patented Evolution system.

Ola offers a 350 CFM blower, halogen lighting and a high efficiency filter system that effectively removes cooking grease, heat, smoke and odours, with only a whisper of sound (.3 sones at speed 1) and does all this without dominating the kitchen or obstructing the glorious views outside.

MODELS

EOL320RD Ola Bright 20" Red

DIMENSIONS

(20"W x 20"D x 20 1/2"H)



Halogen Lamps



Electronic Push Button Controls



Anodized Aluminum Mesh & Long Life Carbon Filters

FEATURES

Size (in) & Type Finish	20" Wide Island/Wall-Mount Stainless Steel + Red
Controls	Electronic Push Button
Illumination	2, 20 Watt Halogen Lamps, 1 Light Intensity (bulbs included)
Installation Type	Recirculating Installation Only
Blower Type	350 CFM, 3-Speed Internal
Blower Performance	Speed 1, 110 CFM, 0.3 Sones Speed 2, 220 CFM, 2.1 Sones Speed 3, 350 CFM, 3.8 Sones
Filter Type	1, Dishwasher-Safe Anodized Aluminum Mesh & 1, Long Life Carbon (both included)
Ceiling Mounting Heights	For heights 6'10" - 11'8" (recirculating)
Electrical	120V-60Hz 200 Watts at 1.7 Amps
Warranty	2 Year Parts & Labor, In-Home Service

ACCESSORIES



Optional Wall Mounting Bracket Kit

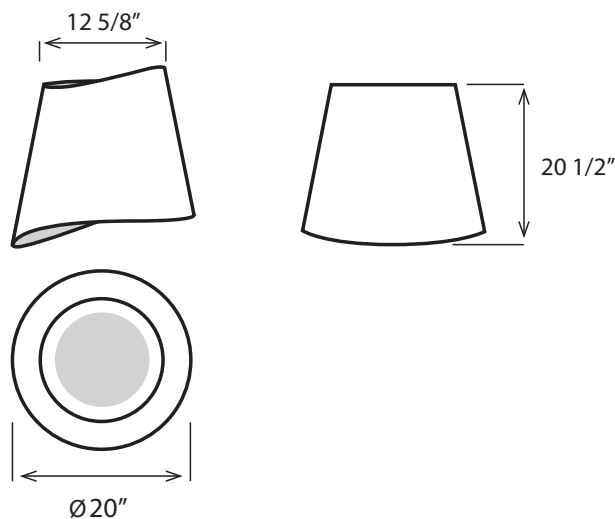
CODE: KIT02663
MODEL: EXXWBK01



Optional High Ceiling Extension Kit
Range 6'10" - 23' 5"

CODE: KIT01921
MODEL: EXXEEKSS

LINE DRAWING



CONSUMABLE PARTS

Replacement Grease Filter (1)
CODE: GRI0009219A

Replacement Carbon Filter (1)
CODE: F00439

Replacement Light Bulb (1)
CODE: 2006BP

Consumable parts are sold in units of one (1). Order accordingly.

SPECIAL FEATURES



Elica Evolution: A super-compact ventilation system comprised of miniaturized / finely engineered components, which provide a platform for creating artistically interesting shapes that provide a splash of design and decoration for the room. Not just a pretty face, the patented Evolution system is a highly effective ventilation system, that won't over power the kitchen or disrupt the glorious views to the outdoors.