

SALICE ISLAND



ISLAND

ASPIRE SERIES

Dimensions

36" W x 27" D x 5" H
42" W x 27" D x 5" H

Models

ESL636S2 Salice 36" Stainless
ESL642S2 Salice 42" Stainless

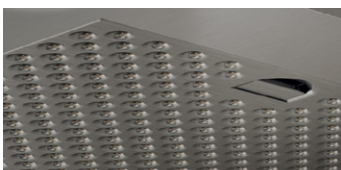
Special features



halogen lamps



multi-function electronic controls with LCD display



stainless steel micro hole filters



Salice conveys understated elegance with a gently tapered canopy that measures only 5" tall, which opens up the kitchen for entertainment and conversation. Available in 36" and 42" widths, Salice features a powerful 600 CFM blower, halogen lighting with 2 light intensities, stainless steel microhole filters and multi-function electronic controls with LCD display that deliver convenience and safety.

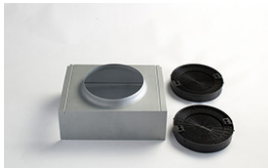
Designed for ducted installation, Salice can also be installed as a recirculating system using the Recirculating Kit, available as an accessory.

SALICE ISLAND

FEATURES

Size (in) & Type Finish	36" or 42" Wide Island Stainless Steel
Controls	Multi-function electronic with LCD display
Illumination	4, 40 Watt Halogen Lamps, 2 Light Intensities (bulbs included)
Installation Type	Ducted or Recirculating Installation Recirculating Kit Sold Separately
Blower Type	600 CFM, 4-Speed Internal
Blower Performance	Speed 1, 180 CFM, 1.6 Sones Speed 2, 300 CFM, 3.5 Sones Speed 3, 470 CFM, 6.5 Sones Speed 4, 600 CFM, 8.7 Sones
Filter Type	3, Dishwasher-Safe, Stainless Steel Micro Hole
Telescopic Chimney Extension	For heights 7'9" - 9'8" (ducted) For heights 8'0" - 10'0" (recirculating)
Duct Transition	6" Round with Back Draft Damper (top)
Electrical	120V-60Hz 530 Watts at 4.4 Amps
Warranty	2 Year Parts & Labor, In-Home Service

ACCESSORIES



Optional Recirculating Kit for 36" and 42"

CODE: KIT02665
MODEL: KIT02665

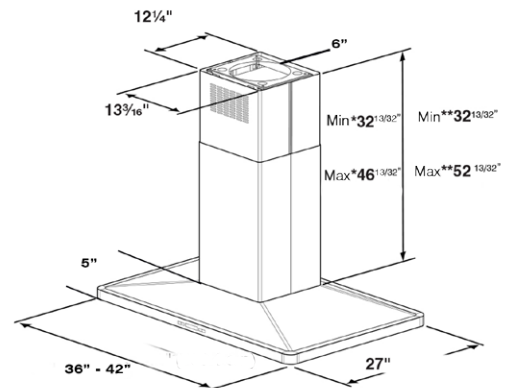


Optional Long Chimney Extension Kit

Reaches 9'0" - 12'0" (ducted)
Reaches 9'4" - 12'4" (recirculating)

CODE: KIT0100317
MODEL: EXXRCK06

LINE DRAWING



CONSUMABLE PARTS

Replacement Grease Filter (1)

CODE: GFO4YB

Replacement Carbon Filter (1)

CODE: KIT02667

Replacement Light Bulb (1)

CODE: 2006BH

Consumable parts are sold in units of one (1). Order accordingly.

SPECIAL FEATURES



Elica CRS:

CFM Reduction System (CRS), is an exclusive feature to Elica hoods, which enables the installer to reduce the maximum blower CFM, to meet local code requirements.



Elica Heat Guard:

A safety feature that protects the hood and cabinetry from excessive heat, by sensing extreme temperatures (>158 degrees) and will automatically adjust the blower speed to HIGH. Blower speed will automatically adjust back once temperatures drop to a safe level.